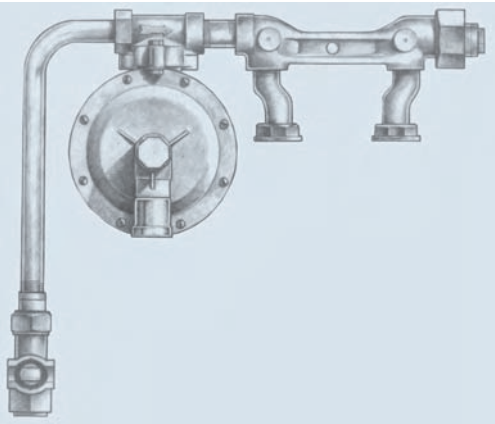
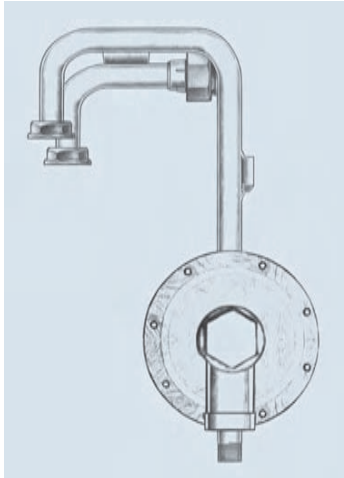
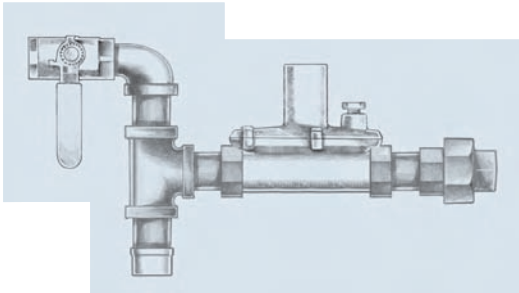
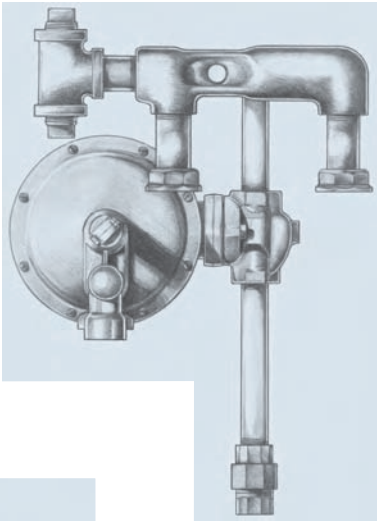
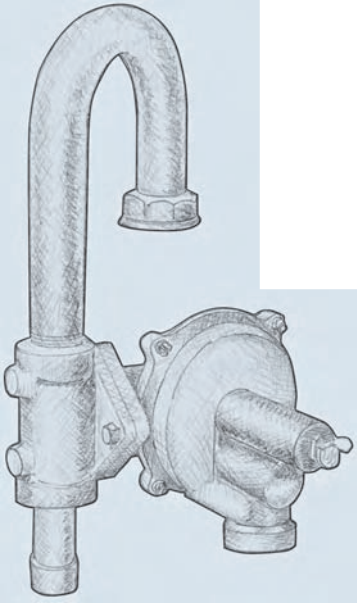
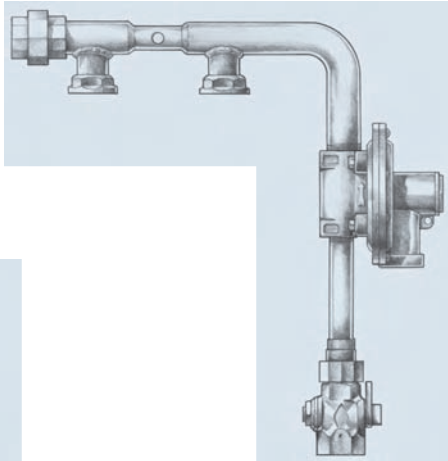
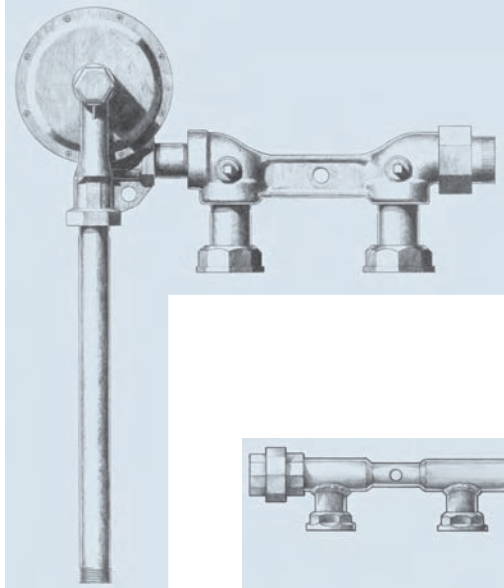


Residential Sets

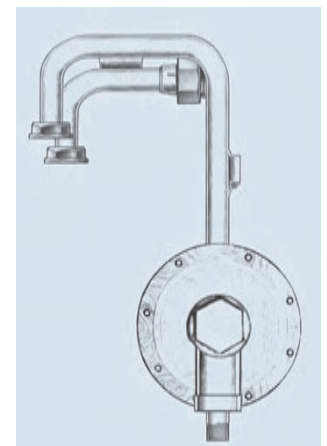
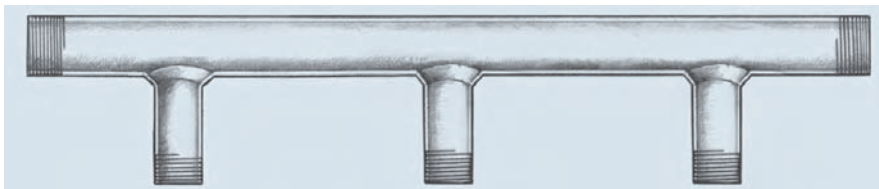
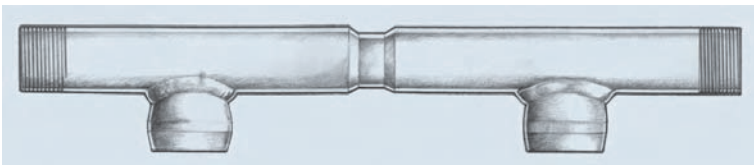
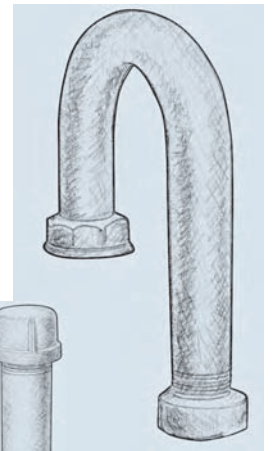
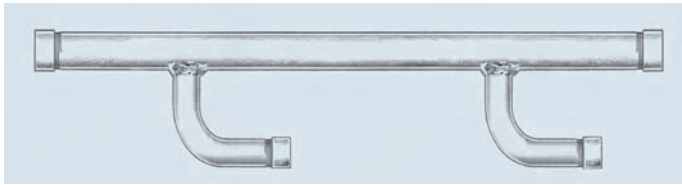
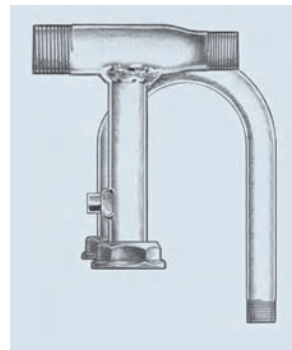
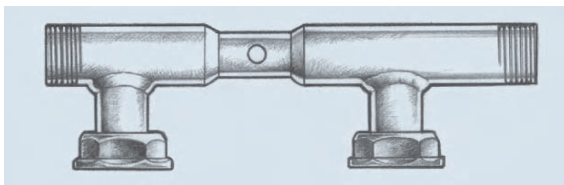
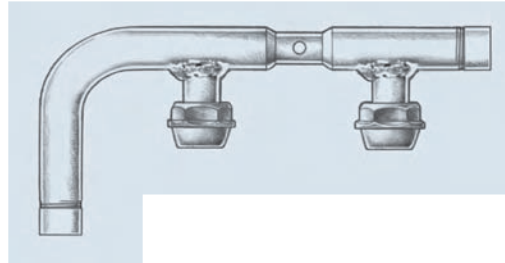
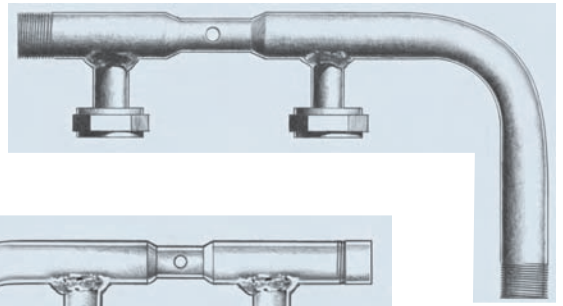
Mechanical Specialties is an industry leader in manufacturing pre-fabricated residential meter sets. Configurations include cast or fabricated meter bars. All meter sets are manufactured to precise utility specifications and inspected throughout the manufacturing and assembly process. Each unit is produced with the integrity necessary to give our customers the confidence that they are receiving a superior product ready for field installation.



3015 S. 163rd Street New Berlin, WI 53151
Phone: (262) 784-8180 Fax: (262) 782-0079

Residential Fabricated Products

Mechanical Specialties in-house, utility-certified welders offer our customers a unique opportunity – the ability to have residential meter set component parts welded and fabricated for immediate field installation or incorporated into meter set assemblies. This custom manufacturing capability allows an endless number of possibilities in handling your fabrication requirements.



3015 S. 163rd Street New Berlin, WI 53151
Phone: (262) 784-8180 Fax: (262) 782-0079