



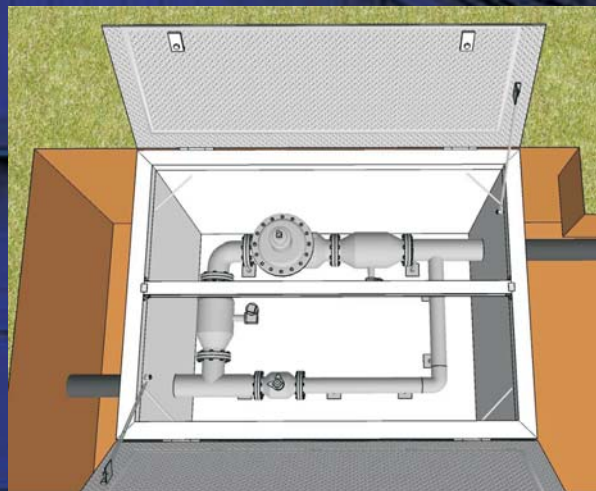
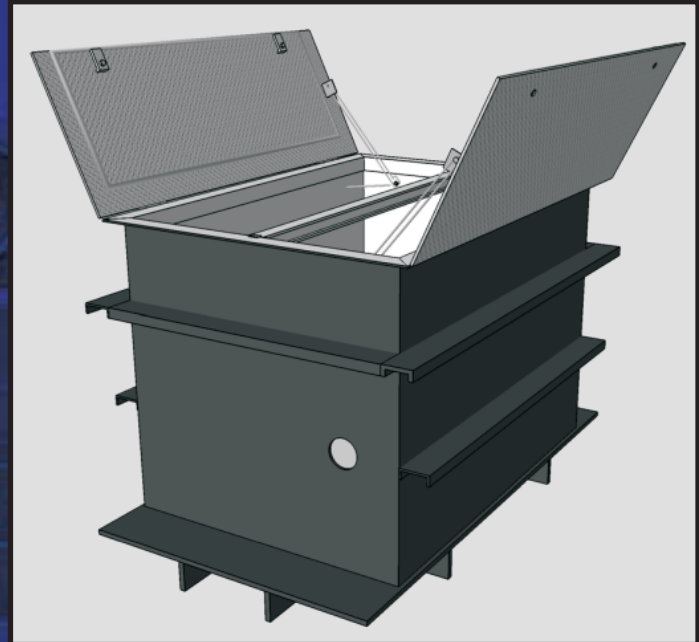
Security Vaults for Underground Regulator Stations

Lyall Security Vaults

Lyall manufactures steel fabricated, aluminum covered underground security vaults for medium and large size Regulator Stations.

Product Advantages

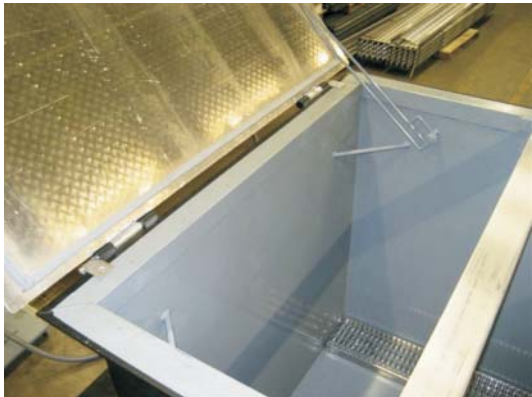
- High Quality-Low Cost solutions to underground vault needs.
- Provides durable containment and safe protection of regulator station for service crews.
- Protects regulator set from snow and ice damage.
- Lockable lid feature prevents vandalism and/or unauthorized personnel from tampering with company property.
- Standard sizes include: 5' x 5' and 5' x 7'. Custom sizes/features are available upon request.



Cost Saving Advantages

- Factory built by certified welders, provides consistent uniformity of construction and coating processes that help protect your investment.
- Allow for additional savings by having your specified regulator set pre-fabricate and pre-installed in the security vault within a controlled manufacturing environment.

Security Vaults for Underground Regulator Stations



Typical Security Vault Application

Specifications/Materials of Construction

Walls: ¼" Plate ANSI 1020

Sub-Base" ½"x 5" Structural Steel

Support Beams: Removable Aluminum "H" Beam

Cover / Hinges: All Aluminum Construction, Gasket Covers

Flooring: Steel with (2) 2' pieces of Aluminum Stair Tread and (2) 8" sump crocks.

Coating: Sand blasted interior and exterior. Sprayed primer, finish and sealed interior. Undercoat sprayed exterior.



Also ask about our
corrugated steel drum vaults

R.W. Lyall & Company, Inc.

Manufacturing located in Corona, CA, Seminole, OK, & New Berlin, WI

Customer Service: (800) 535-9255
website: www.rwlyall.com

The Quality Management System of Lyall's Corona, CA, New Berlin, WI and Seminole, OK Facilities are **Registered to ISO 9001:2000**

Lyall and Lyall Logo are registered trademarks of R. W. Lyall & Company, Inc.

Distributed By:

© 2010 R. W. Lyall & Company, Inc.

Doc# LIT-VAULTSDS rev. 1A