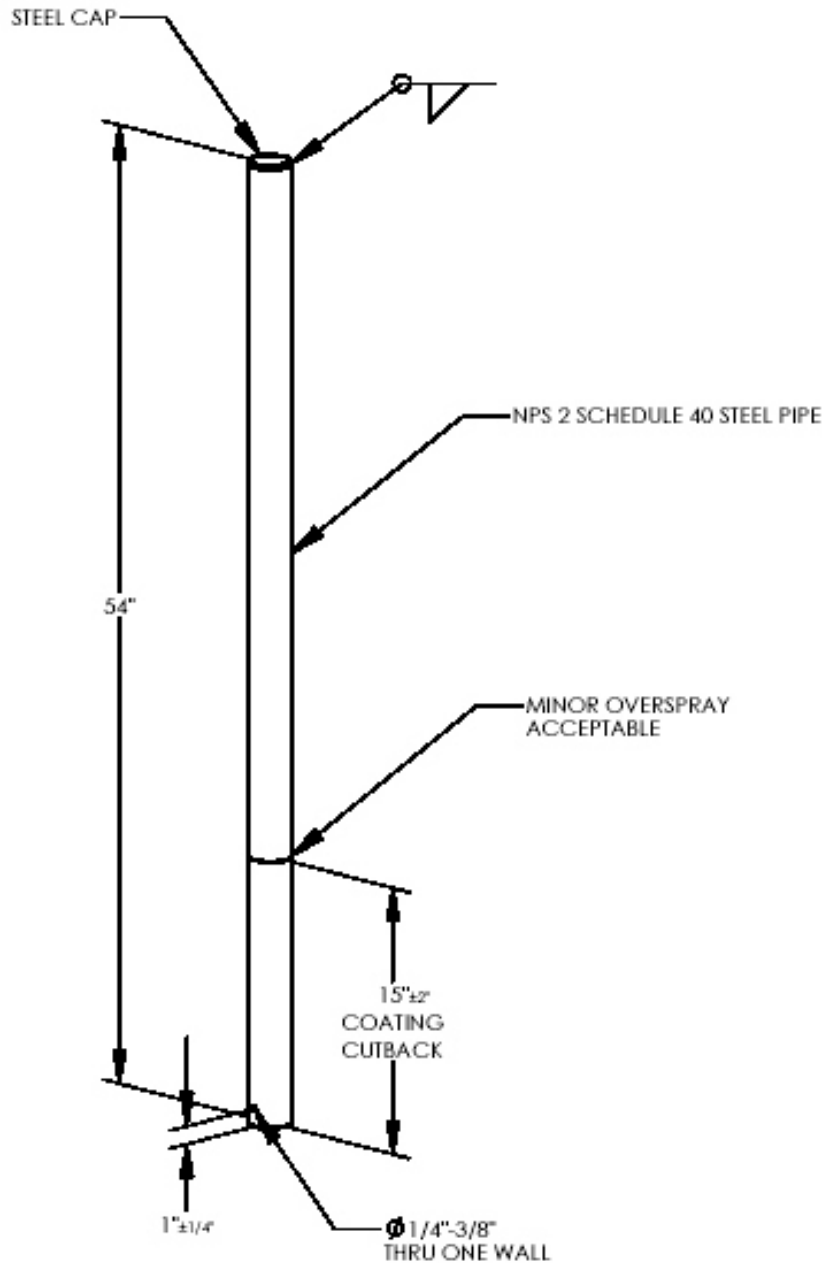




REVISIONS				
REV	ECN	DESCRIPTION	DATE	REV BY
A	3318	RELEASED TO PRODUCTION	11/02	D.P.Z.



UNLESS OTHERWISE SPECIFIED DIMENSIONS ARE IN INCHES TOLERANCES ON: DECIMALS ANGLES ALL OTHERS .000 ± N/A ± N/A" ± 1/2" .000 ± N/A	DR BY	D. ZAPALAC	DATE	10/28/02
	CHK BY	C. ZAPALAC	DATE	11/1/02
	APPVD	D. ZAPALAC	DATE	11/1/02
	DOCUMENT RELEASE NUMBER ECN 3318			
DO NOT SCALE PRINT		MATERIAL: SEE BILL OF MANUFACTURE		
FINISH: POLYESTER COATING PER RWL SPEC ES0802		Proprietary rights are included in the information disclosed herein. Neither this document nor any information disclosed shall be reproduced, used, transferred to other documents, or disclosed to others for any purpose, including manufacturing unless specifically authorized in writing by R.W. Lyall & Company, Inc. Also all rights for manufacturing and/or sale remain the property of R.W. Lyall & Company, Inc.		

R.W. LYALL & COMPANY, INC.
2665 Research Dr Ph: (909) 270-1500
Corona, Ca, U.S.A. Fax: (909) 270-1600

GUARD POST
NPS 2
W / END CAP

SIZE	DRAWING NO.	REV
A	GP-001	A
SCALE: 1:10 CAD FILE: GP-001.SLDDRW		SHEET 1 OF 1

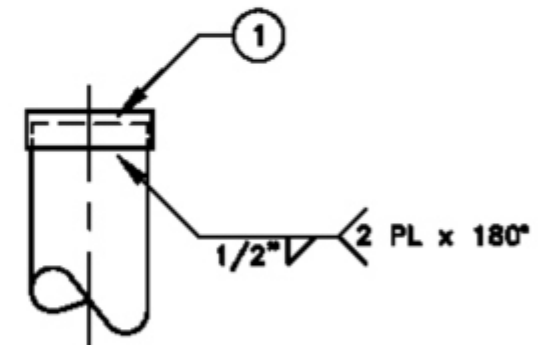
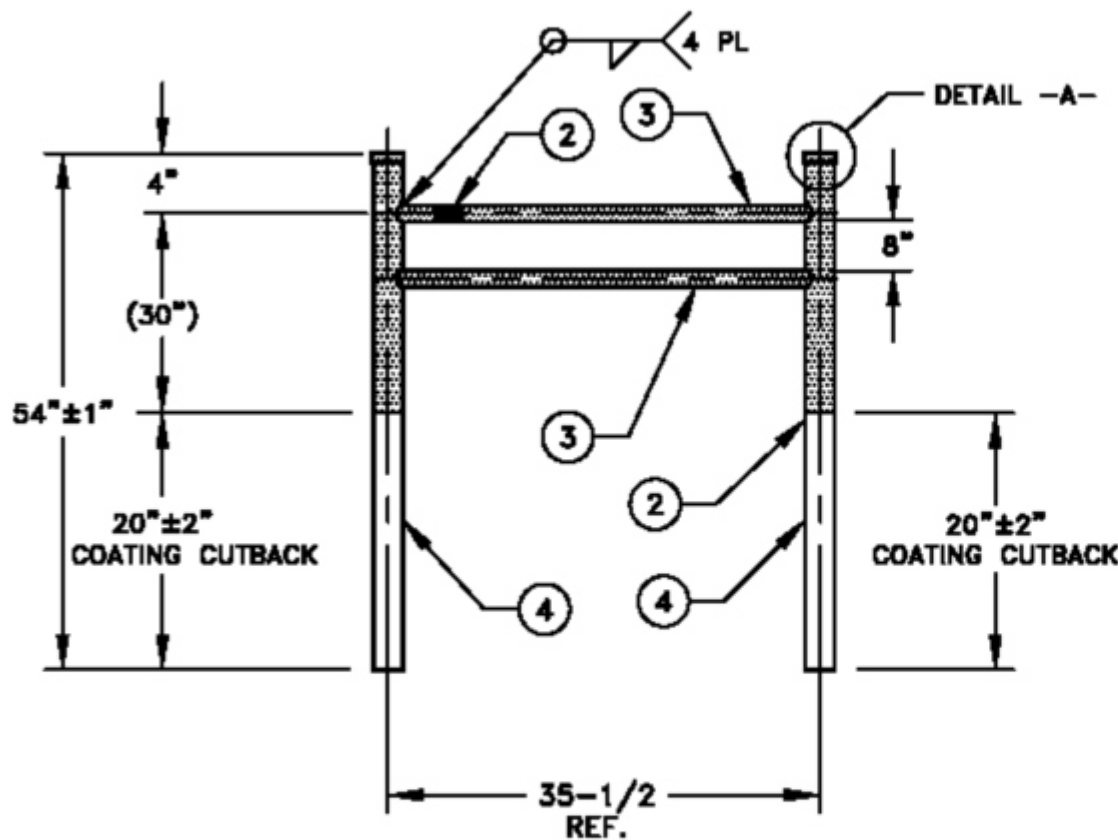
NOTES:
UNLESS OTHERWISE SPECIFIED

Sample Drawing

NOTE: UNLESS OTHERWISE SPECIFIED.

POLYESTER COAT SHADED AREA
 OUTSIDE PROCESS, POLY. GRAY, 3 MIL MIN
 CUT 2 PIECES @ 33-1/2" LONG,
 W/ SADDLE NOTCH OF 1/8"

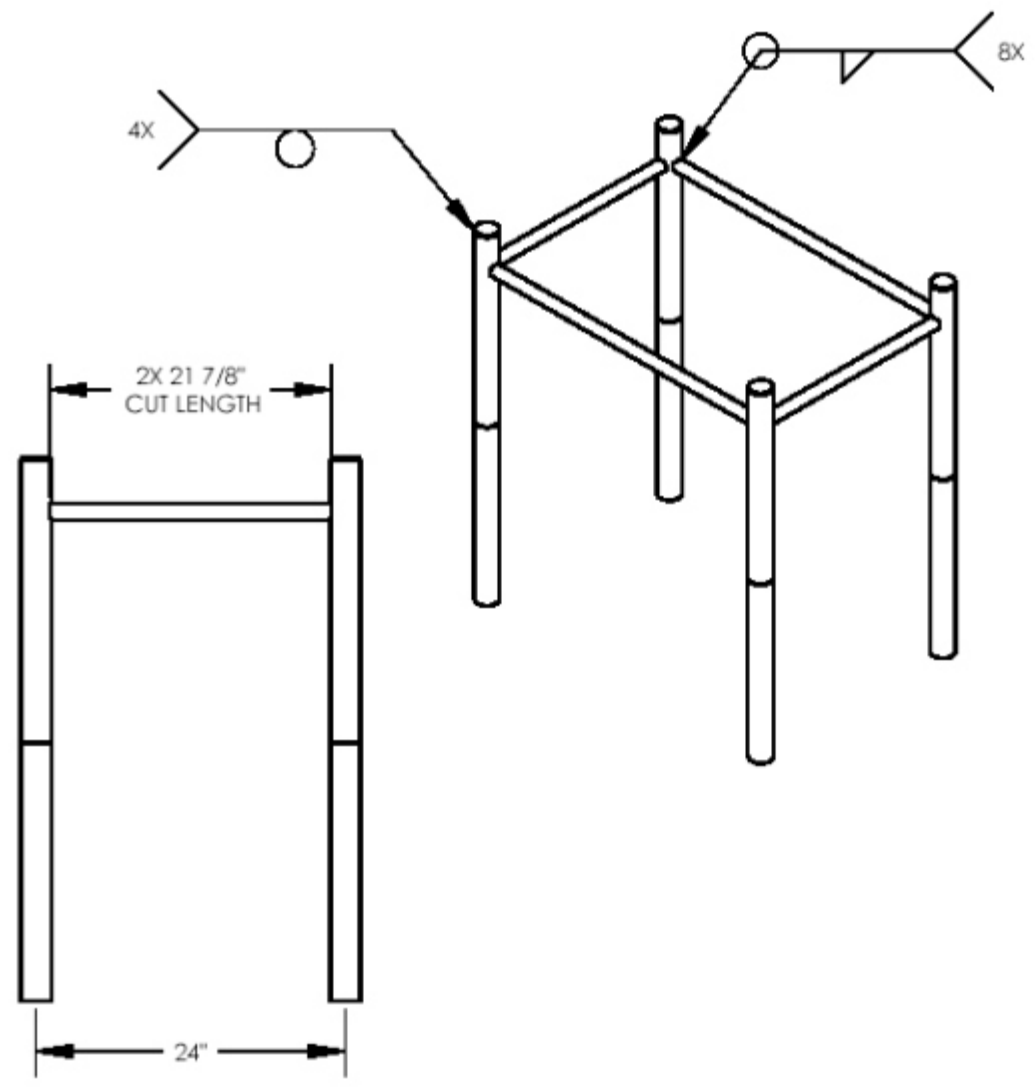
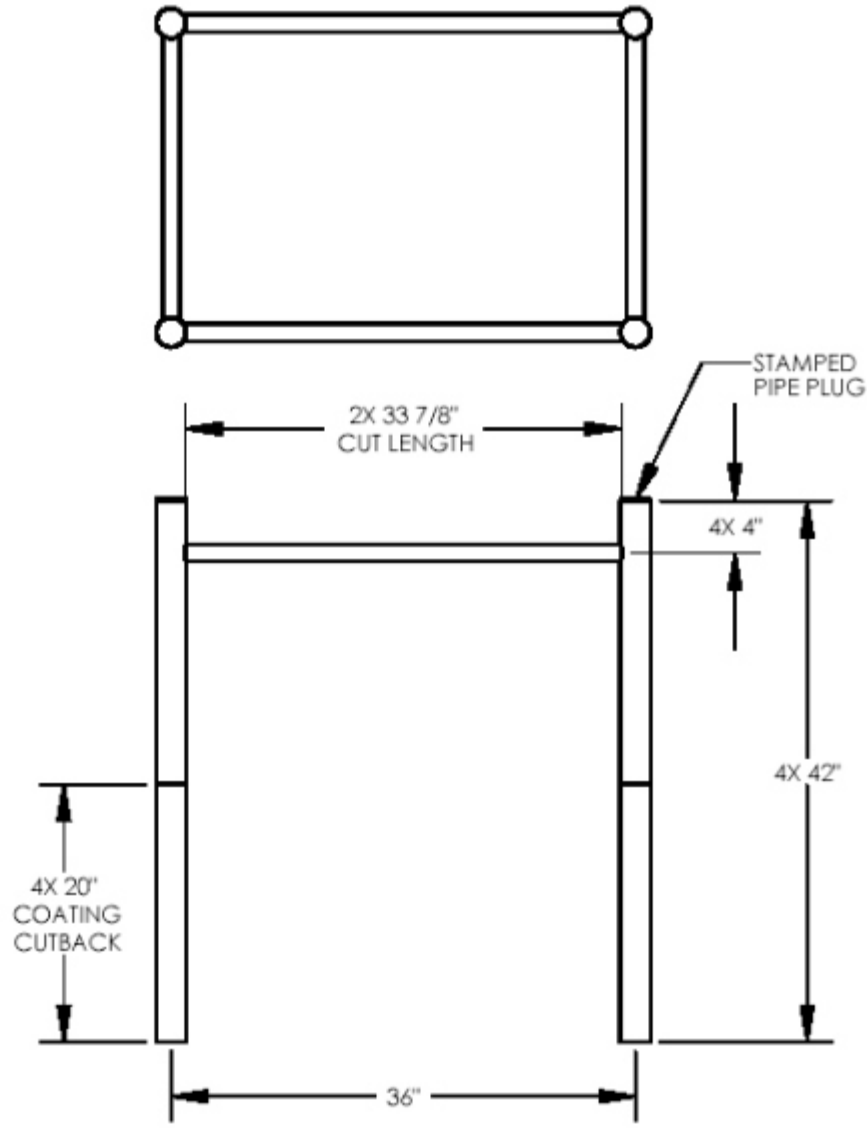
SANDBLAST OUTSIDE




DETAIL -A-
 SCALE: 1/4

		UNLESS OTHERWISE SPECIFIED DIMENSIONS ARE IN INCHES TOLERANCES ON:		DR BY	B. ALLEN	DATE	8/28/87	R.W. LYALL & COMPANY, INC. 2800 Research Dr Ph: (808) 270-1800 Corvallis, Co. U.S.A. Fax: (808) 270-1800		
		DECIMALS ANGLES		CHK BY	D.ZAPALAC	DATE	2/12/98			
		.XXX ± 1" ✓ .XXX ± * ✓		APPVD	D.ZAPALAC	DATE	2/12/98	METER GUARD DOMESTIC 54 VERT		
		DO NOT SCALE PRINT		DOCUMENT	RELEASE NUMBER	ECN 1739				
		MATERIAL: AS SPECIFIED		Copyright rights are retained in the information contained herein. Further this document nor any information derived therefrom may be reproduced, stored, transmitted in other documents, or disclosed in any way for any purpose, including commercial without specific written consent by R.W. Lyall & Company, Inc. All rights reserved. for manufacturing and/or sale remain the property of R.W. Lyall & Company, Inc.				SIZE	DRAWING NO. & CAD FILE NO.	REV
NEXT ASSY	USED ON	FINISH: POLYESTER COAT 3 MIL MIN		A				GUARD-RAIL		
APPLICATION				SCALE 1/16				SHEET 1 OF 1		

REVISIONS				
REV	ECN	DESCRIPTION	DATE	REV. BY
A	3733	RELEASED TO PRODUCTION	7/22/04	J.D.



NOTES: UNLESS OTHERWISE SPECIFIED.

UNLESS OTHERWISE SPECIFIED DIMENSIONS ARE IN INCHES TOLERANCES ON:		DR BY	JOSE DIAZ	DATE	7/22/04	 R.W. LYALL & COMPANY, INC. 2665 Research Dr Corona, Ca. U.S.A. Ph: (909) 270-1500 Fax: (909) 270-1600	
DECIMALS	ANGLES	ALL OTHERS	CHK BY	CHRIS RAVEN	DATE		7/23/04
.XXX ± .005	± 2°	± 1/4"	APPVD	GREG GOBLE	DATE		7/26/04
DO NOT SCALE PRINT		DOCUMENT RELEASE NUMBER		ECN 3733		<h3>GUARD RAIL 4-POST BARRICADE</h3>	
MATERIAL: SEE BILL OF MANUFACTURE		<small>Proprietary rights are included in the information disclosed herein. Neither this document nor any information disclosed shall be reproduced, used, transferred to other documents, or disclosed to others for any purpose, including manufacturing unless specifically authorized in writing by R.W. Lyall & Company, Inc. Also all rights for manufacturing and/or sale remain the property of R.W. Lyall & Company, Inc.</small>					
FINISH: POLYESTER COATING PER RWL SPEC ES0802		SIZE	DRAWING NO.		REV		
		A	GUARD-RAIL-01		A		
		SCALE: 1:15	CAD FILE: GUARD-RAIL-01.SLDDRW		SHEET 1 OF 1		