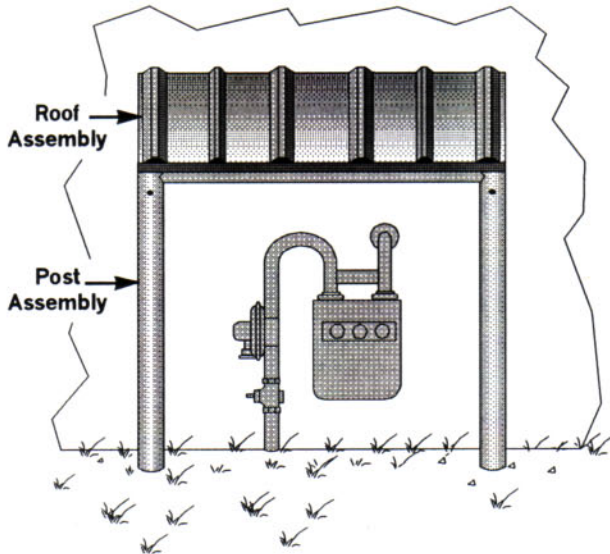




**R. W. Lyall & Company, Inc.**  
Piping Distribution Products

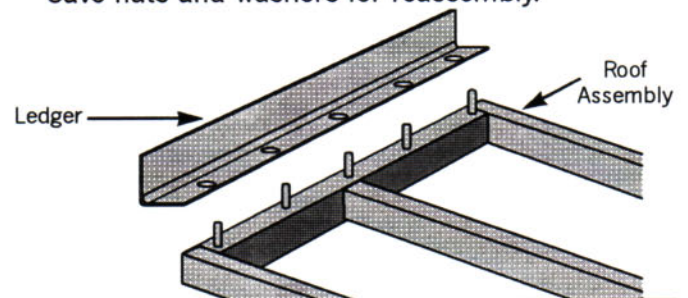
## LYCO® SNOW-SHIELD INSTALLATION INSTRUCTIONS



### Step 1

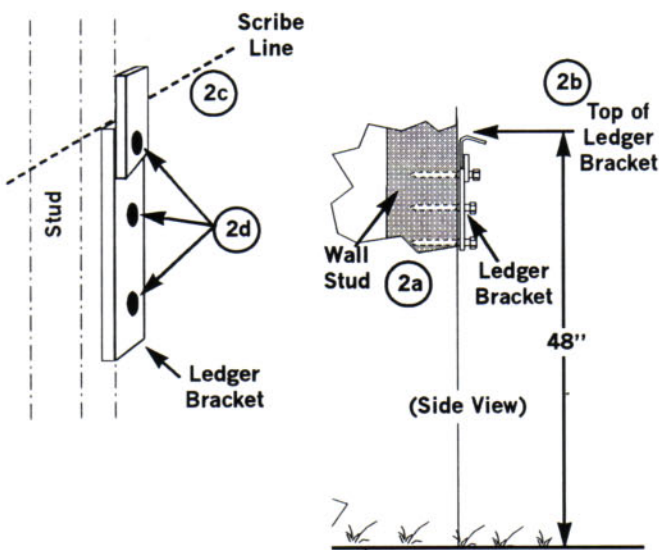
**Warning:** Sheet metal roofing material may have sharp edges & corners. Use appropriate care in handling.

1. Unbolt pre-bent ledger from roof assembly. Save nuts and washers for reassembly.



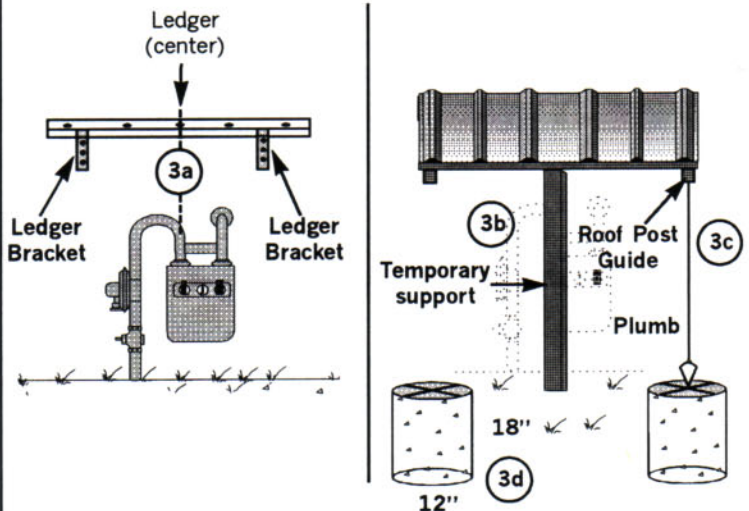
### Step 2

- 2a) Locate & mark wall studs in desired location for Snow Shield.
- 2b) Position ledger across chosen wall studs, choose studs as far apart as possible (24" min.).
- 2c) Set height (48" from ground level to top of ledger) and mark ledger bracket location by scribing bottom of ledger (see 2c below).
- 2d) Mark hole location with brackets at scribe line as shown. Drill 3-1/2" deep holes using 29/64" drill bit. Bolt brackets loosely in place leaving 1/8" play.



### Step 3

- 3a) Center the ledger behind meter set and place on ledger brackets.
- 3b) Set the roof assembly on ledger via roof assembly studs. Support front of roof assembly with 3' temporary 1" x 6" wood support found in the Snow-Shield packaging.

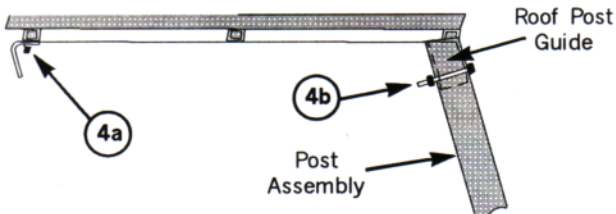


- 3c) Using a plumb line, locate post ground holes below roof post guides. Remove roofing assembly from the ledger.
- 3d) Dig ground holes 18" deep x 12" diameter.

**CAUTION: Before digging, locate gas service line. DO NOT dig into gas service line.**

## STEP 4

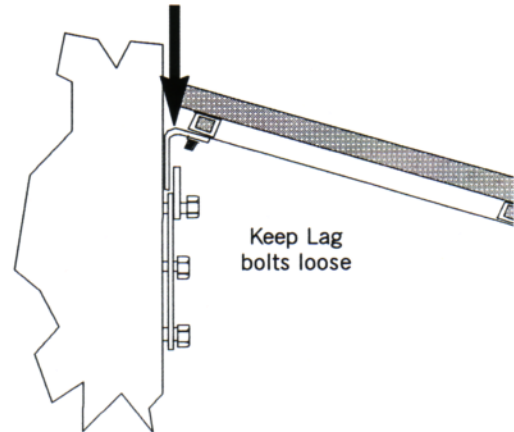
- 4a) Remove the ledger from wall and re-attach ledger to roof assembly, using nuts and washers removed in step 1.
- 4b) With roof assembly standing on it's side, attach post assembly to roof post guides. Bolt together with supplied bolts.



**Caution:** To prevent damage to sheet metal roofing, do not place loads on overhanging edges and use shipping box as a work platform.

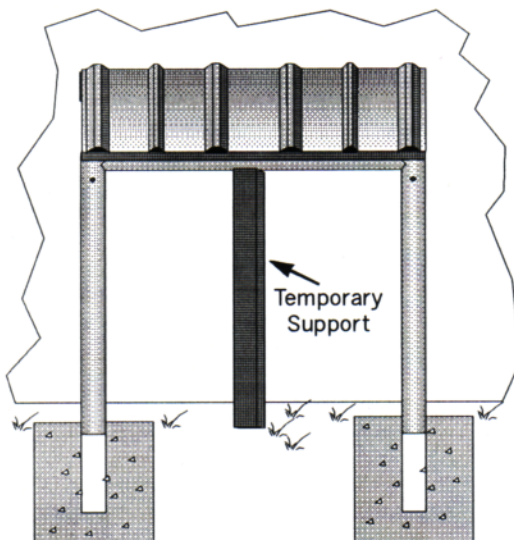
## STEP 5

- 5a) Position roof and post assembly onto support brackets attached to wall.



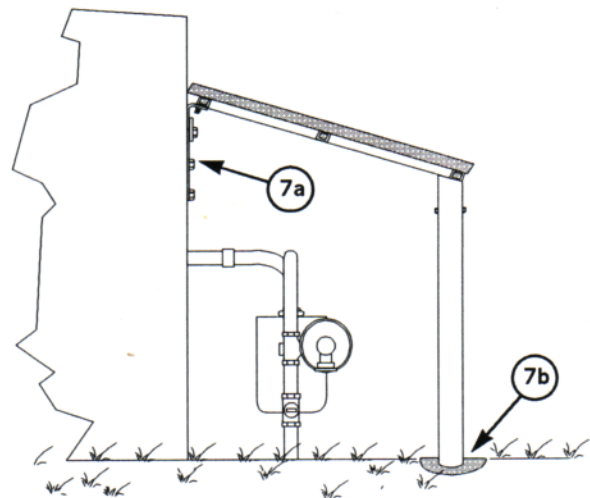
## STEP 6

- 6a) Set the temporary support (1" x 6" supplied in packaging) under the post cross member, with the roof at the correct angle. Adjust support height with dirt for proper alignment.



## STEP 7

- 7a) Tighten support bracket lag bolts.
- 7b) Pour concrete footings.
- 7c) Clean excess concrete from assembly.



**R. W. Lyall & Company, Inc.**  
Piping Distribution Products

Corporate Headquarters Mfg and Sales: 2665 Research Drive P.O Box 2259 Corona, CA 91718-2259

**Phone: (951) 270-1500 Fax: (951) 270-1600**

© 1996 R. W. Lyall & Company, Inc.