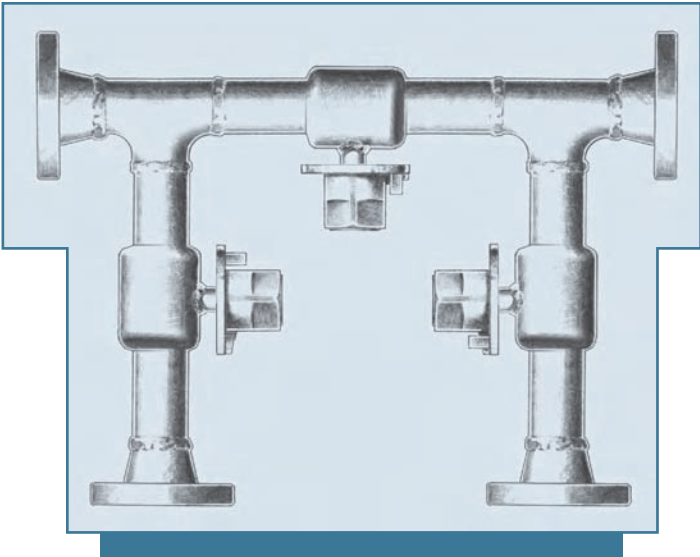
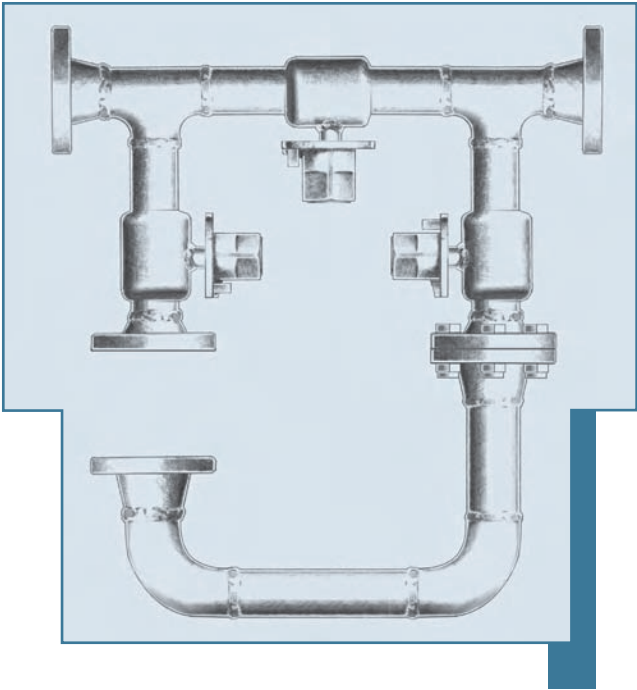
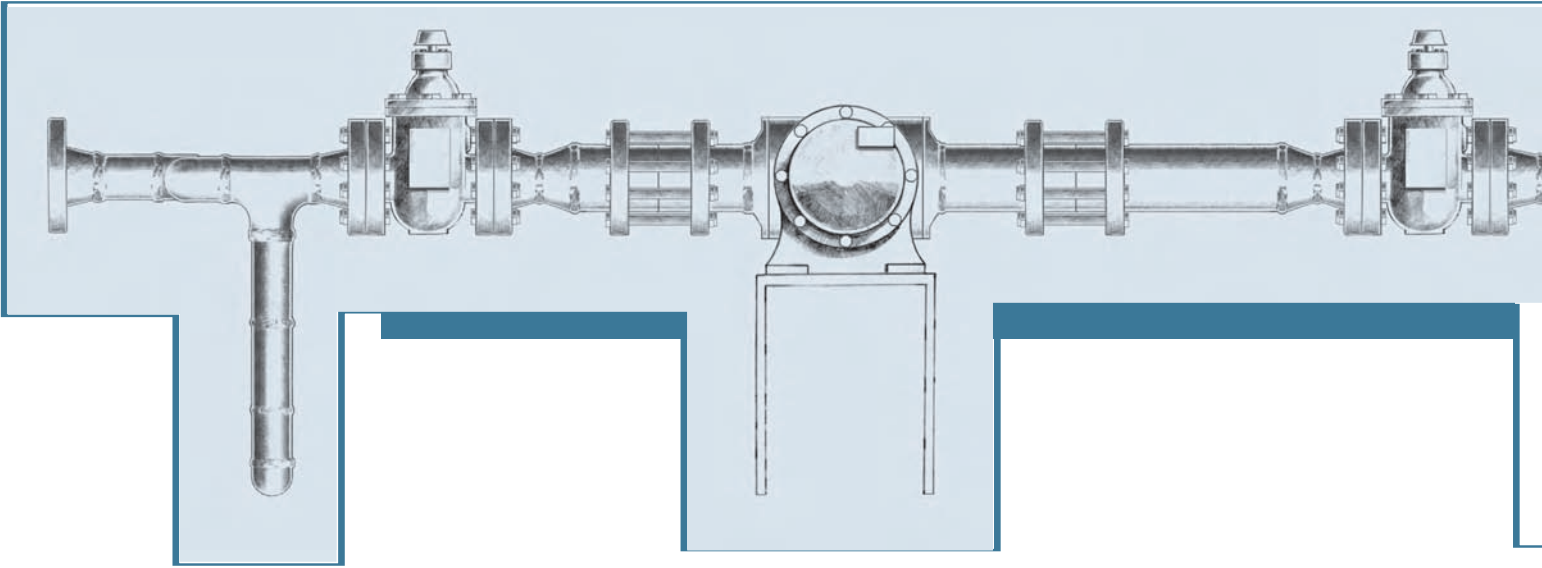


Rotaries

Mechanical Specialties specialized rotary production area manufactures large rotary meter sets. Units are welded, fabricated and tested to the highest standard of quality required for this type of product. Upon completion of testing, the unit is painted, packed and shipped in sections for field assembly and installation.



3015 S. 163rd Street New Berlin, WI 53151
Phone: (262) 784-8180 Fax: (262) 782-0079



Fabricated Commercial/Industrial

Mechanical Specialties line of custom built commercial/industrial meter set component parts are manufactured to meet utility specifications. All custom pieces are welded, fabricated, painted and tested in-house allowing the utility immediate field installation. The product group ranges from 425 meters through rotary set application.

