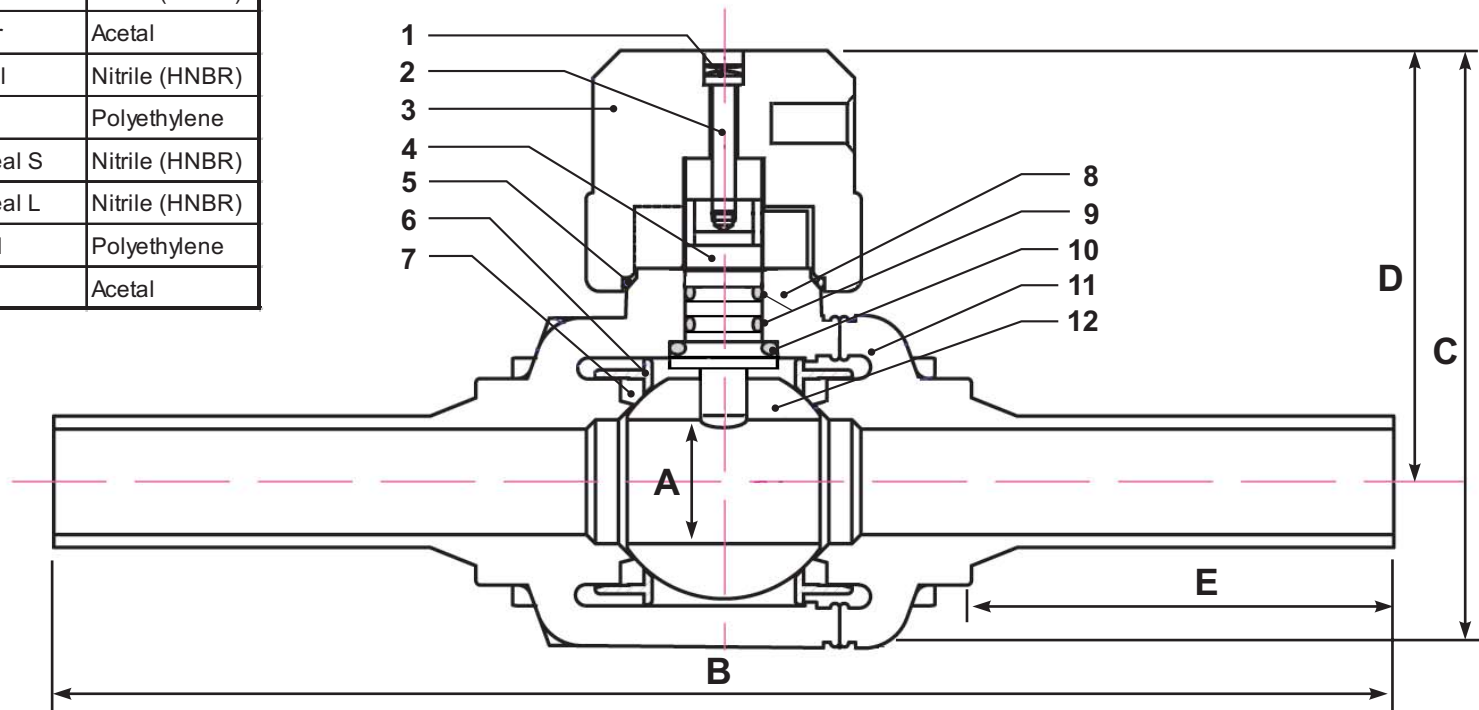


NO	COMPONENT	MATERIAL
1	Operator Button	Acetal
2	Operator Screw	Stainless Steel
3	Operator Nut	Acetal
4	Stem	Acetal
5	Weather Seal	Nitrile (HNBR)
6	Retainer	Acetal
7	Ball Seal	Nitrile (HNBR)
8	Body	Polyethylene
9	Stem Seal S	Nitrile (HNBR)
10	Stem Seal L	Nitrile (HNBR)
11	Pup End	Polyethylene
12	Ball	Acetal

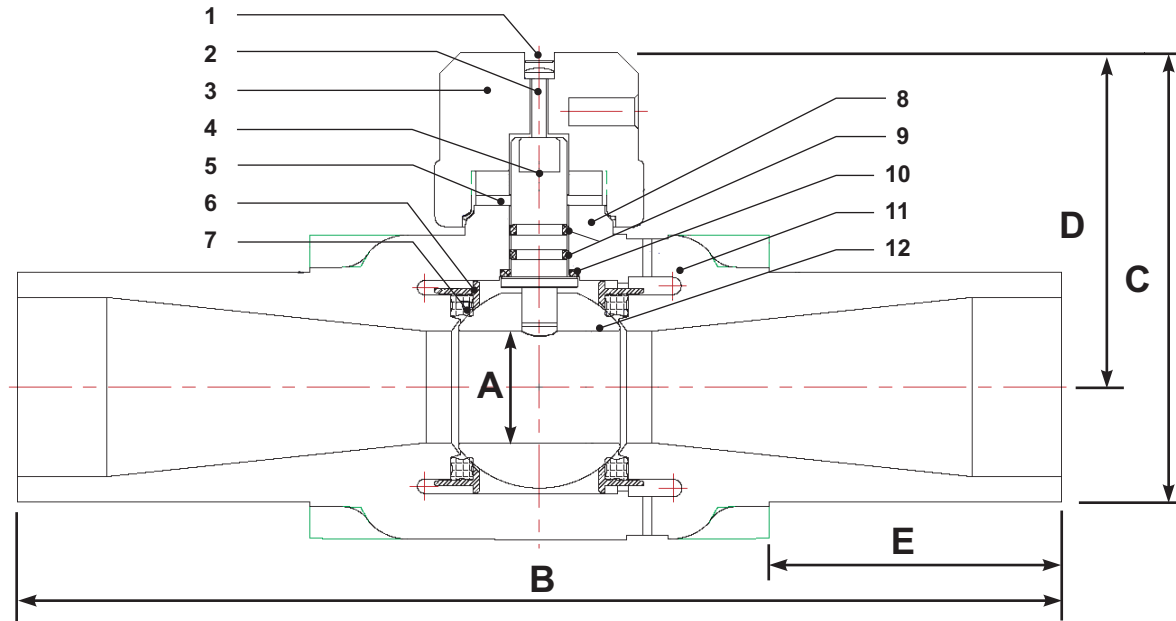
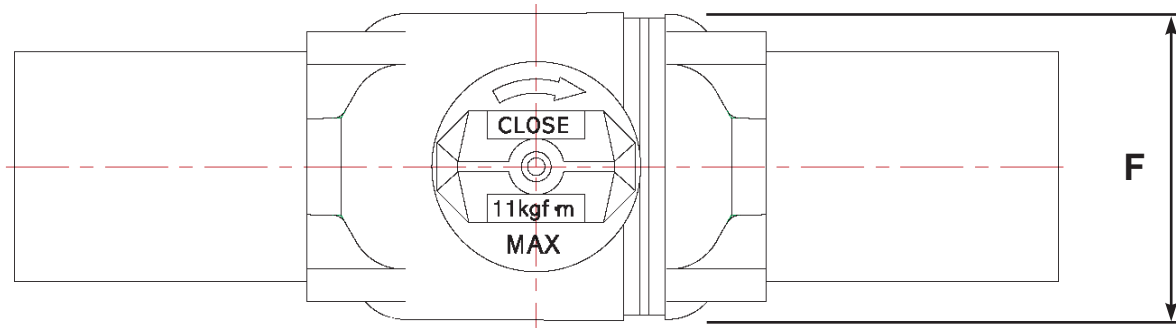


Dimensions shown are for both CTS & IPS models
 SDR / Wall thickness is specified by customer requirements
 * 1-1/4 is a standard (reduced) port

Nominal Valve Size	A	B	C	D	E	Weight lbs (kg)
1/2	1.06	11.50	5.12	3.70	3.62	0.97
20mm	27	292	130	94	92	0.44
3/4	1.06	11.50	5.12	3.70	3.62	0.99
25mm	27	292	130	94	92	0.45
1	1.06	11.50	5.12	3.70	3.62	1.01
32mm	27	292	130	94	92	0.46
1 1/4*	1.06	11.50	5.12	3.70	3.62	1.01
40mm*	27	292	130	94	92	0.46

Sales Drawing	LYALL-POLYTEC TM
Product:	Polyethylene Ball Valve - Gas
Model:	Small Body
Port Type:	Full Port

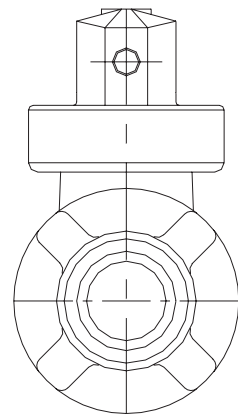
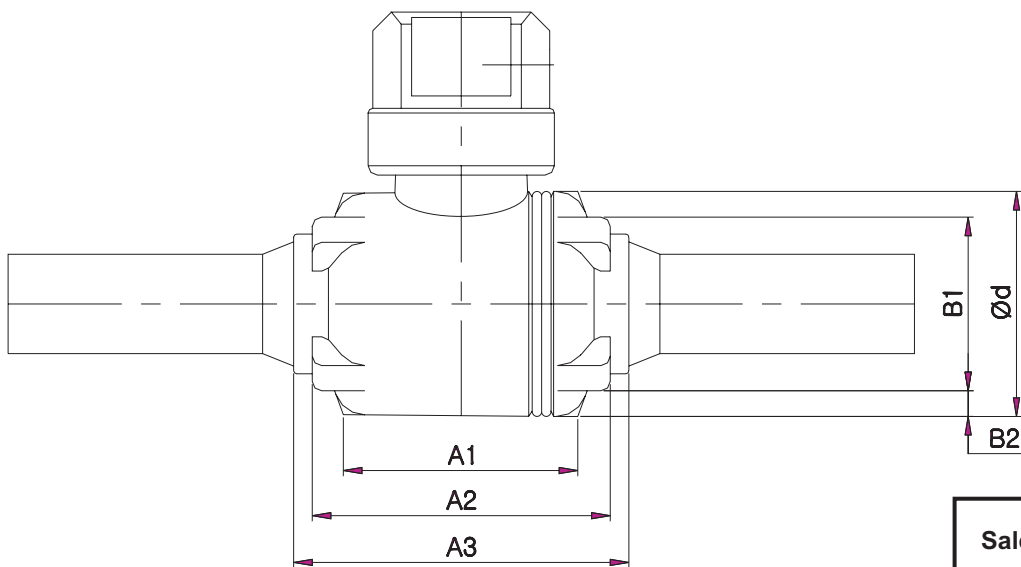
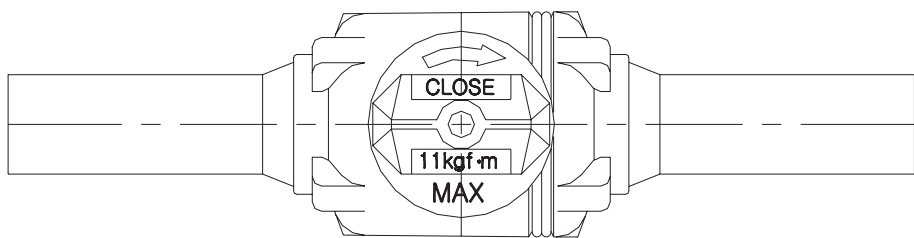
NO	COMPONENT	MATERIAL
1	Operator Button	Acetal
2	Operator Screw	Stainless Steel
3	Operator Nut	Acetal
4	Stem	Acetal
5	Weather Seal	Nitrile (HNBR)
6	Retainer	Acetal
7	Ball Seal	Nitrile (HNBR)
8	Body	Polyethylene
9	Stem Seal S	Nitrile (HNBR)
10	Stem Seal L	Nitrile (HNBR)
11	End	Polyethylene
12	Ball	Acetal



Nominal Valve Size	A	B	C	D	E	F	Weight lbs (kg)
1 1/2 IPS	1.26	11.81	5.51	3.78	2.80	3.46	1.76
50mm	32	300	140	96	71	88	0.80
2 IPS	1.38	11.81	5.51	3.78	3.31	3.46	1.90
63mm	35	300	140	96	84	88	0.86

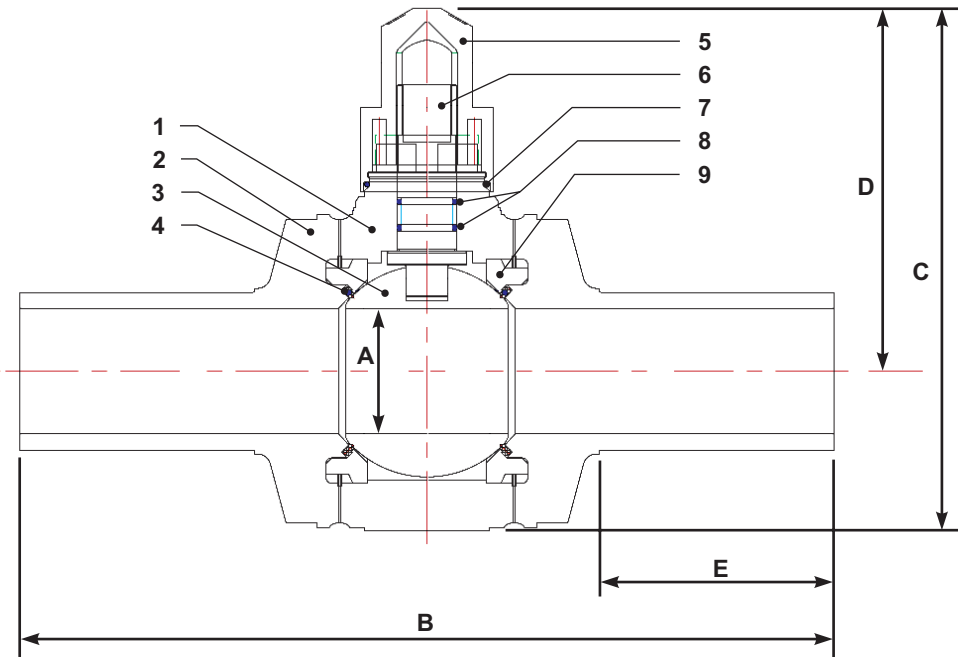
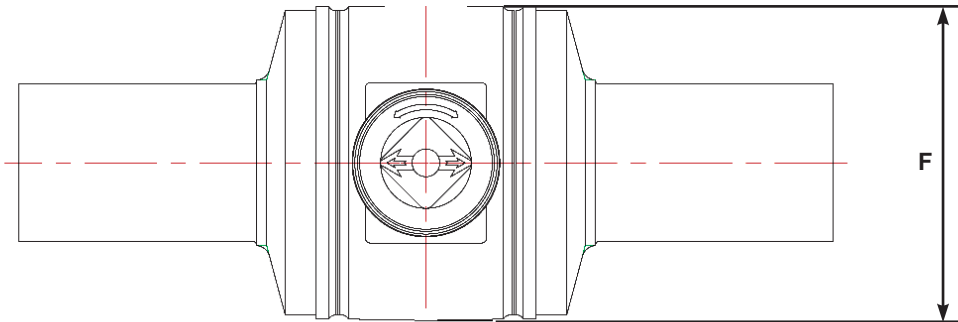
Sales Drawing	
Product:	Polyethylene Ball Valve - Gas
Model:	Small Body
Port Type:	Standard (Reduced) Port

Size	A1	A2	A3	B1	B2	Ød	Remark
1	3.070	3.779	4.251	2.204	.326	2.854	Body Size
1½	3.661	5.275	5.511	2.677	.393	3.464	
2 (r)	3.661	5.118	5.118	2.716	.374	3.464	



Sales Drawing	LYALL-POLYTEC TM
Product:	Polyethylene Ball Valve - Gas
Model:	Small Body Valves
Drawing Type:	Body measurements for Valve Boxes

NO	COMPONENT	MATERIAL
1	Body	Polyethylene
2	End	Polyethylene
3	Ball	Polypropylene
4	Ball Seal	Nitrile (HNBR)
5	Operator Nut	Polypropylene
6	Stem	Acetal
7	Weather Seal	Nitrile (HNBR)
8	Stem Seal	Nitrile (HNBR)
9	Retainer	Polypropylene

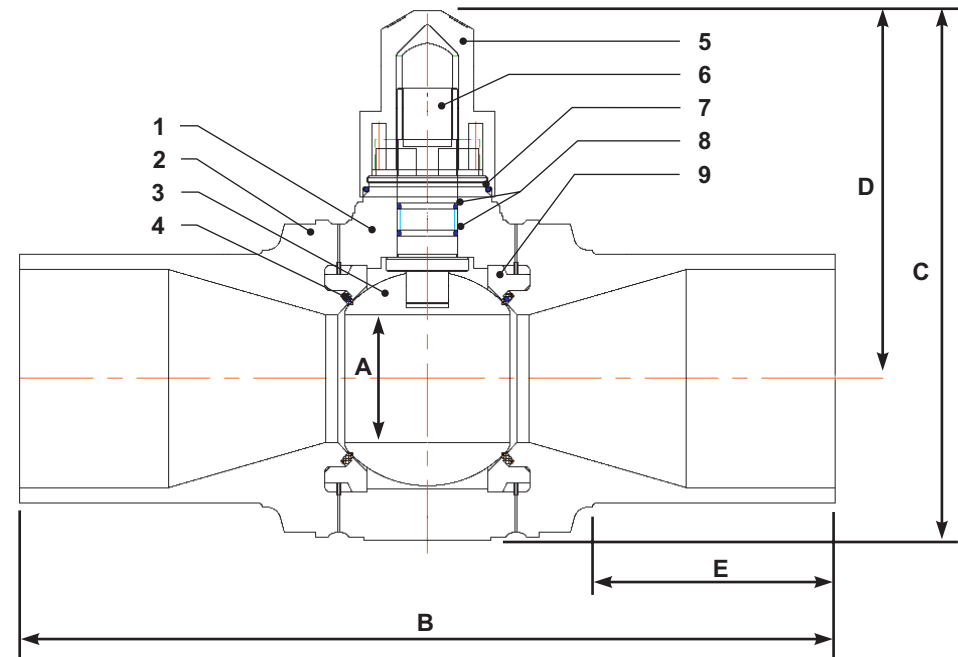
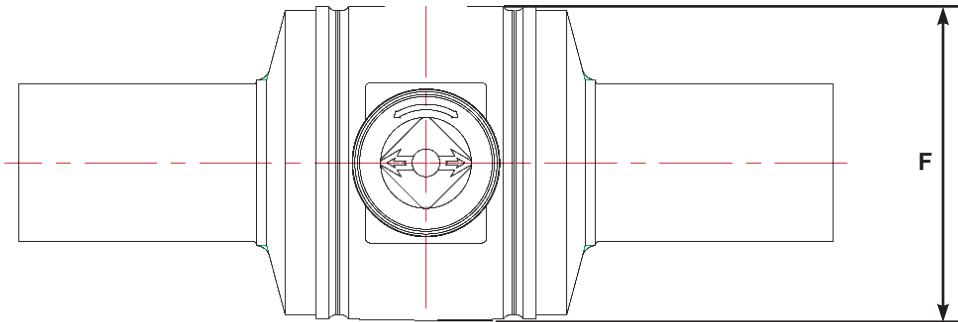


Nominal Valve Size	A	B	C	D	E	F	Weight lbs (kg)
2 IPS	1.77	19.53	9.65	7.01	6.69	5.09	4.19
63mm	45	496	245	178	170	129.4	1.90
3 IPS	2.52	21.18	11.81	8.50	6.69	6.54	8.60
90mm	64	538	300	216	170	166	3.90
4 IPS	3.58	24.02	14.92	10.39	6.69	8.98	18.52
110mm	91	610	379	264	170	228	8.40
6 IPS	4.80	26.18	18.94	13.03	6.69	11.02	38.36
160mm	122	665	481	331	170	280	17.40
8 IPS	6.69	30.12	24.80	16.57	6.69	15.91	91.49

Sales Drawing	
Product:	Polyethylene Ball Valve - Gas
Model:	Large Body (NPC)
Port Type:	Full Port

SDR / Wall thickness is specified by customer requirements

NO	COMPONENT	MATERIAL
1	Body	Polyethylene
2	End	Polyethylene
3	Ball	Polypropylene
4	Ball Seal	Nitrile (HNBR)
5	Operator Nut	Polypropylene
6	Stem	Acetal
7	Weather Seal	Nitrile (HNBR)
8	Stem Seal	Nitrile (HNBR)
9	Retainer	Polypropylene

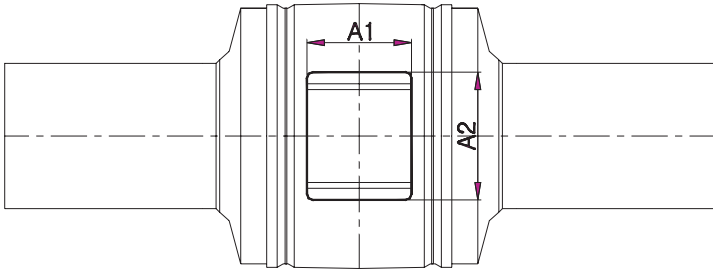
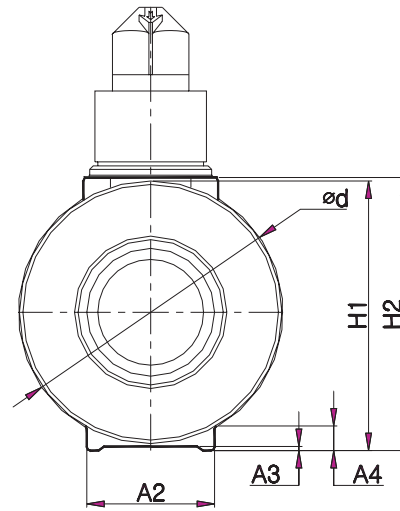
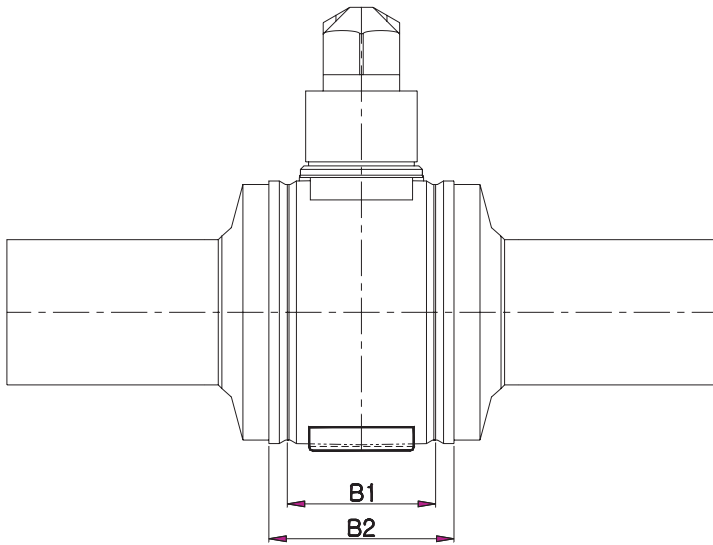


Nominal Valve Size	A	B	C	D	E	F	Weight lbs (kg)
4 IPS	2.52	21.18	11.81	8.50	6.69	6.54	9.70
110mm	64	538	300	216	170	166	4.40
6 IPS	3.58	24.02	14.92	10.39	6.69	8.98	22.27

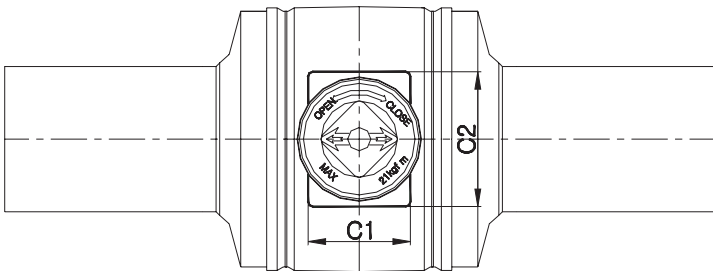
Sales Drawing	
Product:	Polyethylene Ball Valve - Gas
Model:	Large Body (NPC)
Port Type:	Standard (Reduced) Port

SDR / Wall thickness is specified by customer requirements

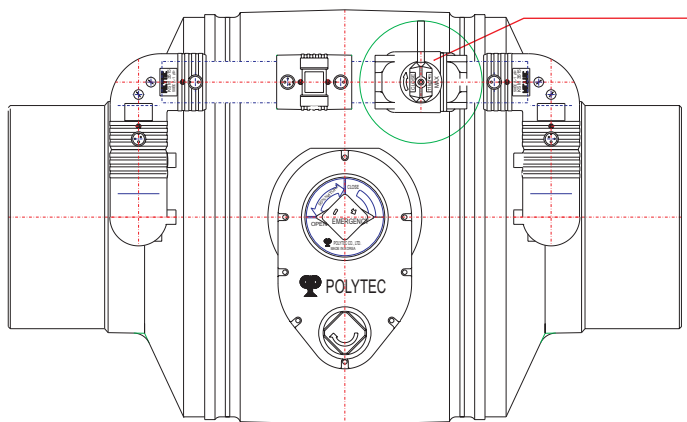
RWL Doc# LIT-BVGASDWG003-1A
011504



Size	A1	A2	A3	A4	B1	B2	C1	C2	H1	H2	Ød
2	2.244	3.149	.137	.905	3.228	4.055	2.362	2.834	5.314	5.433	5.118
3	2.834	3.779	.118	.826	3.897	5.000	2.834	3.385	6.653	6.889	6.535
4	3.543	4.330	.137	.826	5.000	6.299	3.464	4.566	9.133	9.251	8.976
6	3.149	5.905	.137	1.299	6.377	7.795	4.409	5.905	11.732	11.811	11.417
8	2.362	7.874	--	1.299	9.330	11.062	6.377	6.535	16.338	16.456	16.259

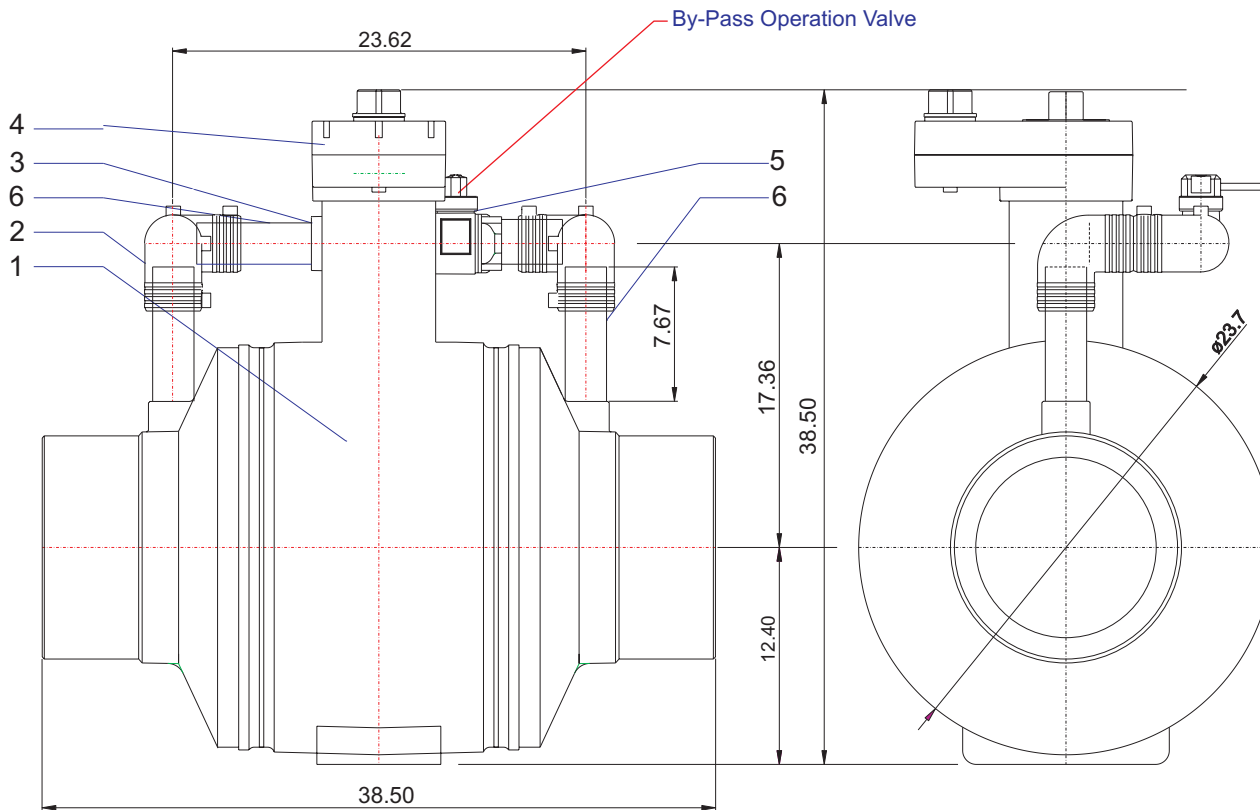


Sales Drawing	LYALL-POLYTEC TM
Product:	Polyethylene Ball Valve - Gas
Model:	Large Body Valves
Drawing Type:	Body measurements for Valve Boxes

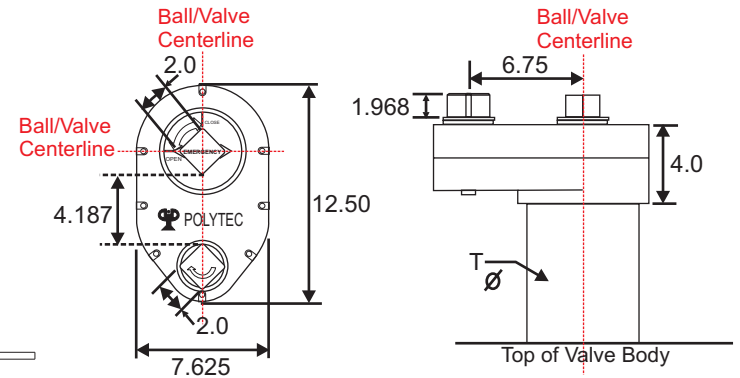


By-Pass Operation Valve

NO	PART NAME	MATERIAL
1	STANDARD VALVE	POLYETHYLENE
2	50A ELBOW	POLYETHYLENE
3	50A COUPLER	POLYETHYLENE
4	GEAR SYSTEM	POLYETHYLENE
5	50A S. VALVE	POLYETHYLENE
6	50A N. END PIPE	POLYETHYLENE



By-Pass Operation Valve



BORE RATE
BALL I/D / PIPE I/D = 110.6%

Sales Drawing	LYALL POLYTEC
Product:	Polyethylene Ball Valve - Gas
Model:	12 IPS Full Port Valve (Standard)
Drawing Type:	Body measurements for Valve

RWL Doc# LIT-BVGASDWG013-1A
102306